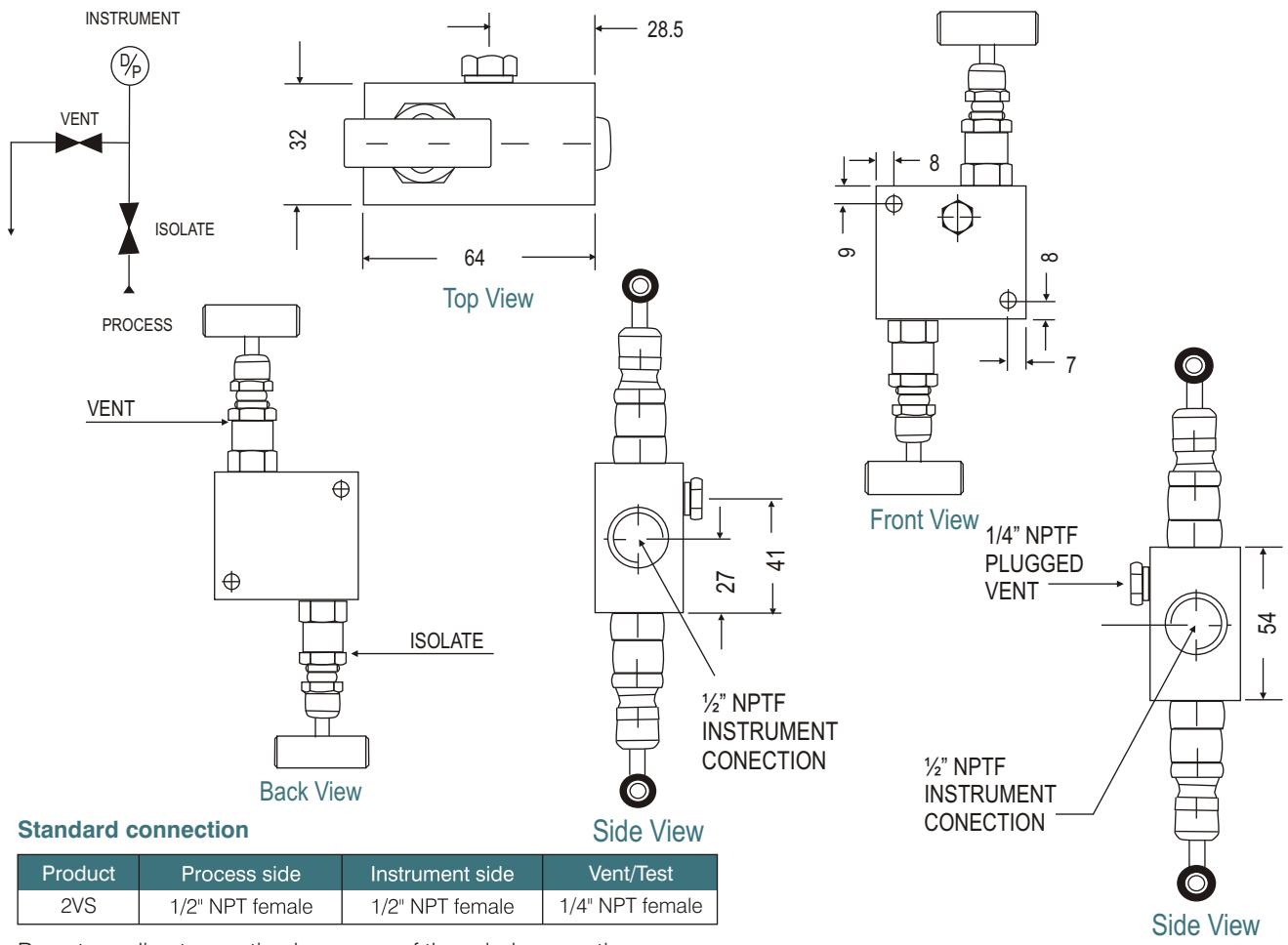
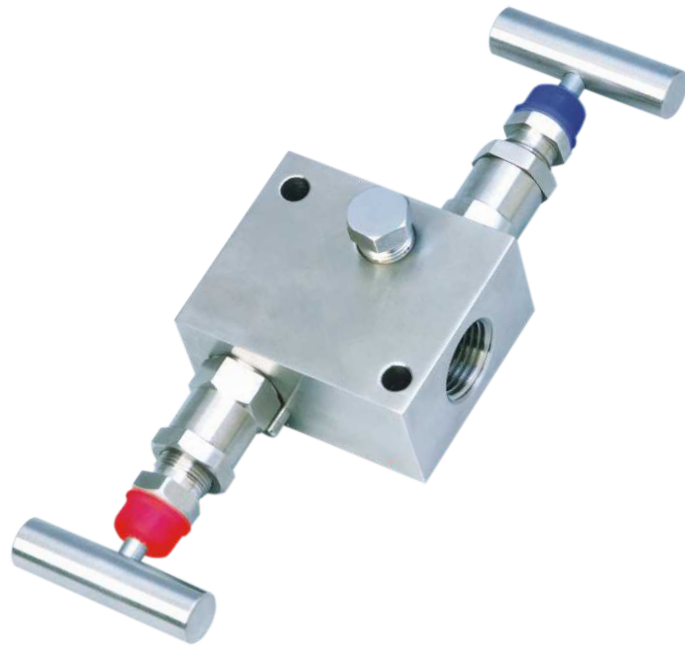


2VS

With threaded vertical port inlet and outlet. The vent/test connection is positioned on the front side. The drain bonnet is positioned on the right hand side and the isolating bonnet on the left hand side.



Standard version specifications of Series 2VS

Body	: SS 316
Stem	: SS 316
Valve assembly	: SS 316
'T' bar handle	: SS 304
Maximum working pressure	: 6000 psi
Maximum working temperature	: 240°C
Packing	: PTFE (Grafoil for temperature above 240°C to 550°C)
Type of stem	: Type CT; Stem with conical metal tip
Drain port	: 1/4" NPT [F]; provided with SS 316 plug
Bracket mounting holes	: 2 Nos. (Not available in Series 2VT, 2VTF)
Hard Chrome plating	: Provided on stem tip and female threads of valve.

How to order : Valve Type - 2VS

Body Material	Stem Type	Stem Packing	Size = Inlet x Outlet	Connections	Threads
C = Carbon Steel	CT	P = PTFE	24 = 1/4" x 1/4"	MF = Male x Female	N = NPT (ANSI B1.20.1)
S = SS 316	DS	G = Grafoil	33 = 3/8" x 3/8"	FF = Female x Female	P = BSPP (BS2779)
SL = SS 316L			44 = 1/2" x 1/2"	SW = Socket weld	B = BSPT (BS21)
M = Monel 400			66 = 3/4" x 1/2"	FM = Female x Male	
H = Hastelloy C			2F = 1/4"x Flange		
			3F = 3/8"x Flange		
			4F = 1/2"x Flange		

Options

- GH : Material test certificate
- GO : Hydro test certificate
- IE : Circular plastic.
- TF : Sour gas service to NACE standard MR-01-75.
- SG : Oxygen service. (manifolds are supplied cleaned and degreased)
- DS : Valves with stem having soft conical and delrin tip rolled into the needle for gas service.
- MB : Mounting bracket
- MBC : Mounting bolts [7/16" UNF] in carbon steel
- MBS : Mounting bolts [7/16" UNF] in SS

Example

To place an order simply refer to the codes in the table.

Valve Type	:	Body Material	+	Stem Type	+	Stem Packing	+	Size	+	Connections	+	Threads	+	Options
2VS		S		CT		P		44		FF		N		= 2VA-S-CT-P-44-FF-N-Options

NOTE:

- The weld prepared types are available with female plain end - suitable for socket weld.
- Anti-tamper bonnet - special design on request with locking arrangement if desired.