

NEEDLE VALVE

NV4

Type needle valves with hard seat are designed for use on applications requiring complete isolation or throttling of the media. The conical metal tip (Stem Type CT) press fitted ensures perfect alignment for positive bubble tight shut-off. Available with end connections in sizes from 1/8" to 1" and a wide choice in connections of female screwed, male screwed, male to female screwed or socket weld.

Technical specifications

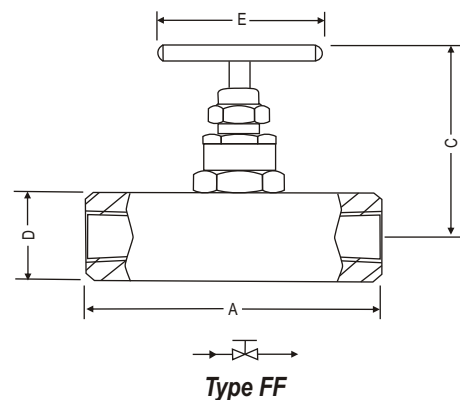
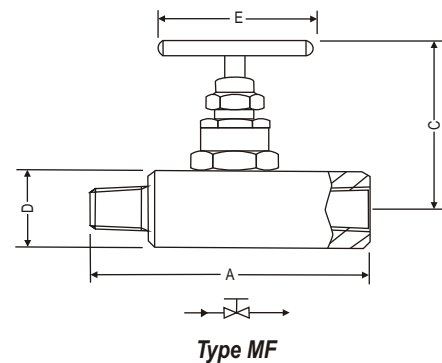
- Pressure : 400 bar
- Max temp. : 240°C
- Material : Stainless Steel
- Stem : (Type CT) Conical tip press fitted hard chrome plated
- Gland Packing : PTFE (Grafoil to be used for temperature above 240°C to 550°C)
- Stem packing area : Burnished mirror finish for Smooth valve operation.
- Safety Feature : Back seating for preventing stem blowout.

Size	Type	Length	Width	Ht open	Ht closed	Handle
		A	D	C	C	E
1/8"	FxF	50	22	55	52	40
	MxF	55	22	55	52	40
	MxM	60	22	55	52	40
1/4"	FxF	55	25	63	60.5	40
	MxF	65	25	63	60.5	40
	MxM	60	25	63	60.5	40
3/8"	FxF	55	25	63	60.5	40
	MxF	65	25	63	60.5	40
	MxM	65	25	63	60.5	40
1/2"	FxF	65	32	83.6	79.6	50
	MxF	75	32	83.6	79.6	50
	MxM	70	32	83.6	79.6	50
3/4"	FxF	70	38	88.6	82.6	50
	MxF	75	38	88.6	82.6	50
	MxM	80	38	83.6	79.6	50
1"	FxF	90	45	101	96	50
	MxF	105	45	101	96	50
	MxM	105	45	101	96	50

All dimensions are in mm

Applications

- High pressure line shut off.
- Instrument isolation.
- Gauge isolation.
- Drain valve.
- Liquid and vapor service.



Optional : Also available High pressure valves with stem HPa for 10,000 psi pressure Series no. is NV10
 Also available High pressure valves with stem V2 for 20,000 psi pressure Series no. is NV20

Note : Other combination sizes available on request. Please contact factory for more details.

How to order : NV4, NV10, NV20

Needle Valve

Body Material	Stem Packing	Size = P x P1	Connections	Threads
C = Carbon Steel	P = PTFE	24 = 1/4" x 1/4"	FF = Female x Female	N = NPT (ANSI B1.20.1.)
S = SS 316	G = Grafoil	33 = 3/8" x 3/8"	MF = Male x Female	P = BSPP (BS2779)
SL = SS 316L		44 = 1/2" x 1/2"	MM = Male x Male	B = BSPT (BS21)
M = Monel 400		66 = 3/4" x 3/4"	SW = Socket Weld	
H = Hastelloy C		88 = 1" x 1"		
B = Brass				

Options -

IE : Handle circular plastic.

TF : Sour gas service to NACE standard MR-01-75.

SG: For Oxygen service, valves are supplied cleaned and degreased and suitably packed.

GH: Material test certificate

GO : Hydrotest test certificate

Example -

To place an order simply refer to the codes in the table.

Valve Type : Body Material + Stem Packing + Size + Connections + Threads + Options

NV4 + S + P + 44 + FF + N = S - P - 44 - FF - N - Options

Note -

The weld prepared types are available with a male-or-female plain end - suitable for socket weld, or male butt weld end.

Always specify pipe schedule and further requirements when ordering valves for welded or Flange connections. Panel mounting option for installation in racks and panels.

Standard Valve Materials

Valve	Body	Bonnet	Stem	Tip
Carbon Steel	CS A105	SS304	SS316	SS316
Stainless Steel	SS316	SS316	SS316	SS316
Monel	Alloy 400	Alloy 400	Alloy 400	Alloy K500