

Analog Transmitter

SIGNAL 4.0



OVERVIEW

Operation

- The position of a magnetic float / piston is detected by means of Hall sensors and converted into an analog signal.

Application

- Use in combination with float-type sensors for various flow media (see table on page 2)
- Industry 4.0

Features

- Analog output (4-20 mA and 0-10 V)

Installation information

- Refer also to the applicable data sheets and operating instructions for the flow monitor!
- **Download: www.meister-flow.com**

OPERATING DATA

Accuracy⁽¹⁾	± 10 % of full scale
Operating temperature	-20 °C - 70 °C
Storage temperature	-20 °C - 80 °C
Repeatability	tbd.

⁽¹⁾ Higher calibration accuracy when calibrated individually.
Available on request.

POSSIBLE COMBINATIONS

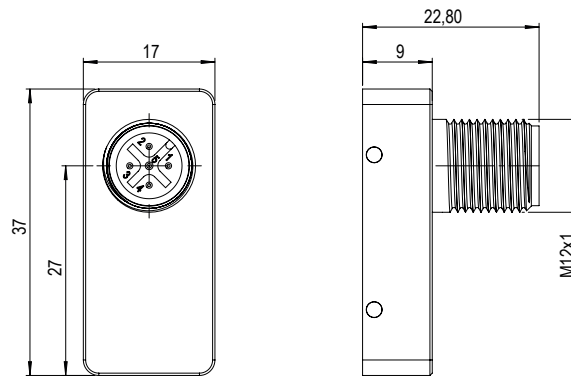
Type		
Sensor	Transmitter	Combination
DUM	+ SIGNAL 4.0	= DUM/SIGNAL 4.0
DWM	+ SIGNAL 4.0	= DWM/SIGNAL 4.0
RVM/U-1	+ SIGNAL 4.0	= RVM/U-1/SIGNAL 4.0
RVM/U-2	+ SIGNAL 4.0	= RVM/U-2/SIGNAL 4.0
RVM/U-4	+ SIGNAL 4.0	= RVM/U-4/SIGNAL 4.0
WY	+ SIGNAL 4.0	= WY/SIGNAL 4.0
DKM-1	+ SIGNAL 4.0	= DKM-1/SIGNAL 4.0
DKM-2	+ SIGNAL 4.0	= DKM-2/SIGNAL 4.0
DKME	+ SIGNAL 4.0	= DKME/SIGNAL 4.0
DWM-L	+ SIGNAL 4.0	= DWM-L/SIGNAL 4.0
RVM/U-L1	+ SIGNAL 4.0	= RVM/U-L1/SIGNAL 4.0
RVM/U-L2	+ SIGNAL 4.0	= RVM/U-L2/SIGNAL 4.0
RVM/U-L4	+ SIGNAL 4.0	= RVM/U-L4/SIGNAL 4.0

MATERIALS

Non-wetted parts

Housing: Aluminium, blue anodized

■ TECHNICAL DRAWING



■ CONNECTION DIAGRAM



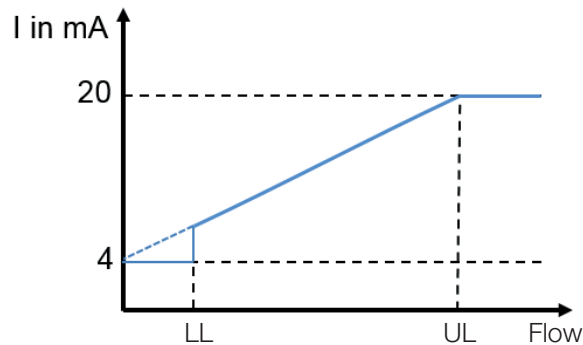
Attention:

Pin 5 must not be electrically connected! We strongly recommend use of a four core cable.

The SIGNAL 4.0 must not be removed from the basic unit. In case of a removal a loss of warranty is possible.

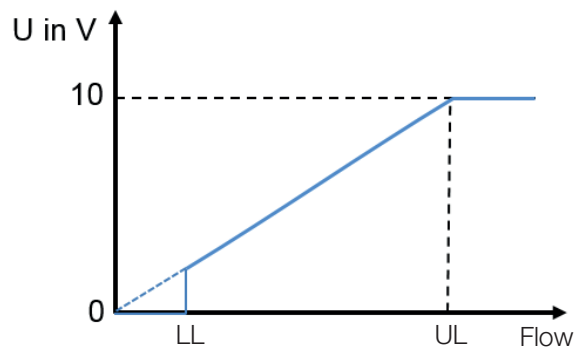
CHARACTERISTICS

Current-Flow characteristic



LL: lower limit of measuring range
UL: upper limit of measuring range

Voltage-Flow characteristic



LL: lower limit of measuring range
UL: upper limit of measuring range

ELECTRICAL DATA

Analog output

4...20 mA and 0...10 V

Power supply

24 VDC (19...30 VDC)

Power consumption

< 1 W

Current output

Max. load 600 Ω

Voltage output

Max. current 10 mA

Connection

For round plug M12x1, 5 pin

Ingress Protection

IP 65

IP 67

Notes

Please note that the flowmeter and the SIGNAL 4.0 analog transmitter have been optimally adjusted to each other and may not be exchanged!

Please also refer to the data sheets and operating instructions of the respective flowmeter!