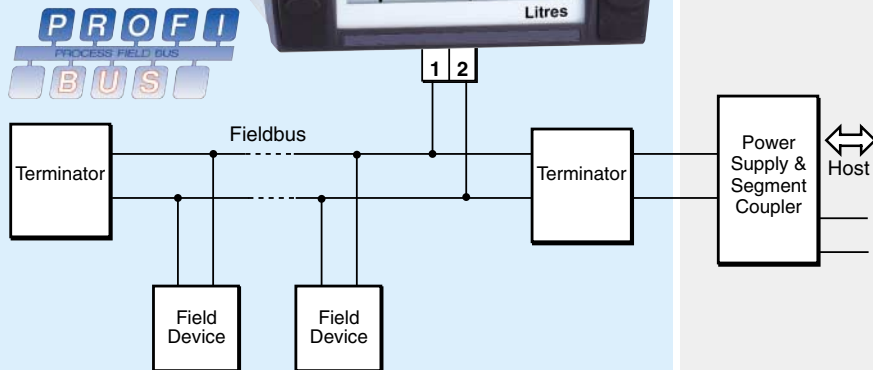


Hazardous area

Safe area



NEW



The **BA448CF-P PROFIBUS Indicator** is an intrinsically safe instrument that can display up to eight fieldbus process variables within a hazardous area. A numeric annunciator on the left hand side of the screen shows which variable is being displayed. This version of the indicator supports PROFIBUS PA protocol; for FOUNDATION™ fieldbus systems an alternative version is available – please see BA448CF-F FOUNDATION™ fieldbus datasheet.

Configuration as a fieldbus Node or Listener using the indicator's front panel push buttons allows the instrument to be tailored to suit local requirements. When configured as a Listener the BA448CF-P is not visible to the fieldbus host; may not be subject to a Node Licence Fee and is configured and controlled via the instrument's front panel push buttons.

As a fieldbus Node, the indicator is configured by the fieldbus host and the displayed variable is selected from the eight pre-configured variables using the indicator's front panel up and down buttons.

Powered by the fieldbus the BA448CF-P only requires a 2-wire connection to the fieldbus segment, no additional power supply is required. Compatibility with most PROFIBUS hosts is assured by the use of eight Analogue Output and six Digital Input function blocks.

The liquid crystal display has large 20mm high digits providing maximum contrast and a wide viewing angle, allowing the BA448CF-P PROFIBUS indicator to be read easily in most lighting conditions. The five digits, with four decimal points and a negative sign, may be configured to display any variable between -99999 and 99999. The 31 segment bargraph, which provides a bold analogue indication of the fieldbus variable, may be conditioned to any starting or finishing values within the fieldbus variable's range.

The instrument front panel provides IP66 protection and a neoprene gasket seals the joint between the fieldbus indicator and the

panel, making it suitable for use in areas that will be cleaned with a hose. To simplify installation and maintenance, the indicator has a removable terminal block that allows panel wiring to be completed before the BA448CF-P indicator is installed.

ATEX intrinsic safety certification allows the BA448CF-P to be installed in all gas hazardous areas. The two fieldbus terminals comply with the Fieldbus Intrinsic Safety Concept (FISCO) simplifying system design and documentation. Separate entity input safety parameters also allow connection to most non-FISCO intrinsically safe systems. A BA448CF-P indicator may therefore be connected to almost any intrinsically safe fieldbus segment, provided the segment can supply 13mA to power the instrument.

FM, cFM and IECEx approvals allow installation in the USA, Canada plus the growing number of countries accepting IECEx certificates. All approvals incorporate FISCO certification.

Operator acknowledgements may be returned to the fieldbus host when the BA448CF-P is configured as a fieldbus Node. Six Digital Input function blocks in the indicator which are supported by most Profibus hosts enable the status of the front panel push buttons to be read.

A Comprehensive PROFIBUS interface guide contains commissioning information for the BA448CF-P. Copies may be requested from the BEKA sales office or downloaded from www.beka.co.uk

Units of measurement can be marked onto the display escutcheon prior to despatch and the tag number or application thermally printed onto the rear panel adjacent to the terminals.

For field mounting applications see the BA444DF-P PROFIBUS datasheet. This instrument has a similar electrical specification but is housed in an IP66 field mounting enclosure.

BA448CF-P

PROFIBUS PA

Fieldbus Indicator

8 variables

Intrinsically safe for use in all gas hazardous areas

- ◆ Large 5 digit display with bargraph.
- ◆ PROFIBUS PA protocol
- ◆ Displays up to 8 fieldbus variables.
- ◆ Selectable Node or Listener modes.
- ◆ Intrinsically safe ATEX, FM, cFM & IECEx.
- ◆ Entity parameters & FISCO compliant.
- ◆ 144 x 72mm DIN enclosure.
- ◆ IP66 front
- ◆ 3 year guarantee



BEKA

associates

BEKA associates Ltd. Old Charlton Rd. Hitchin, Hertfordshire, SG5 2DA, U.K. Tel. (01462) 438301 Fax (01462) 453971 e-mail sales@beka.co.uk www.beka.co.uk

SPECIFICATION

Display

| | |
|-----------|--|
| Type | Liquid crystal 5 digit 20mm high (-99999 to 99999) 31 segment bargraph 8 |
| Variables | 8 |

Fieldbus communication

| | |
|------------------|--|
| Voltage | 9 to 32V (Limited by intrinsic safety parameters) |
| Current | 13mA |
| Compliant with | IEC61158—2 Clauses 11 and 22 PROFIBUS PA |
| Protocol | Profibus User |
| Organisation. | Approval certificate Z01505 |
| Function | Fieldbus Node or Listener selected via front panel push buttons. |
| Function blocks | |
| Profibus PA node | 8 x AO; 6 x DI |
| Listener | Captures date in DS-33 format |

Intrinsic safety

Europe ATEX

| | |
|------|--|
| Code | Group II Category 1G Ga Ex ia IIC T4 FISCO Field Device Ex ia IIC T4 Tamb = -40 to 70°C |
|------|--|

Input parameters

| | |
|--------|-------------------------------------|
| Entity | Ui = 22V Ii = 250mA Pi = 1.2W |
|--------|-------------------------------------|

FISCO

| |
|--|
| Ui = 17.5V Ii = 380mA Pi = 5.32W |
|--|

Location Zone 0, 1 or 2

Cert. No. ITS06ATEX25314/2X

USA FM

| | |
|---------------|---|
| Standard Code | 3610 Entity CL I: Div 1 GP A, B, C & D T4 @ 70°C |
|---------------|---|

| | |
|---------------|---|
| Standard Code | 3611 Nonincendive CL I: Div 2 GP A, B, C & D T4 @ 70°C |
|---------------|---|

File 3027031

Canada cFM

File 3027031C

International IECEx

| | |
|------|--|
| Code | Ex ia IIC T4 Ga FISCO Field Device Ex ia IIC T4 Ta = -40 to 70°C |
|------|--|

Cert. No. IECEx ITS 06 0013X

Environmental

| | |
|----------------|--|
| Operating temp | -20 to +70°C (ATEX, FM & IECEx certification -40°C to 70°C) |
|----------------|--|

| | |
|--------------|---|
| Storage temp | -40 to 85°C |
| Humidity | To 95% @ 40°C |
| Enclosure | Front IP66, rear IP20 |
| EMC | In accordance with EU Directive 2004/108/EC |

Mechanical

| | |
|-----------|---|
| Terminals | Removable with screw clamp for 0.5 to 1.5mm ² cable. |
| Weight | 0.7kg |

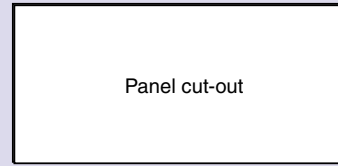
TR Automatyka Sp. z o. o.

ul. Lechicka 14 ; 02-156 Warszawa

Tel. (+48 022) 886 10 16

Fax. (+48 022) 846 50 37

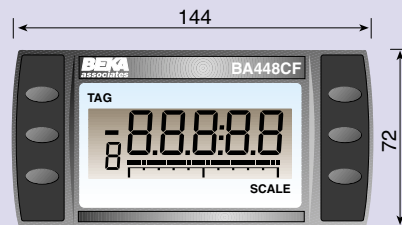
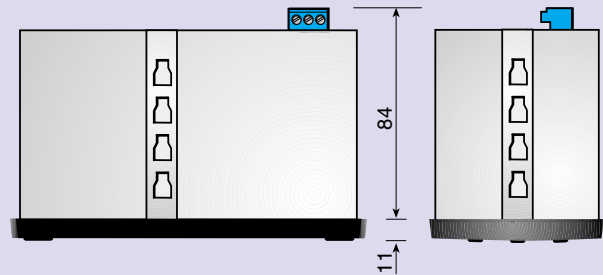
DIMENSIONS (mm)



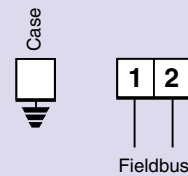
Recommended panel cut-out

DIN 43 700
138.0 +1.0/ -0.0 x 68.0 +0.7/ -0.0

To achieve an IP66 seal between the instrument and the panel
136.0 +0.5/-0.0 x 66.2 +0.5/-0.0
Four panel mounting clips must be used



TERMINAL CONNECTIONS



Non polarised

Accessories

| | |
|--------------------|---|
| Scale legend | Units of measurement marked onto display escutcheon. |
| Tag legend | Tag number or application marked onto display escutcheon. |
| Profibus interface | May be downloaded from www.beka.co.uk |

HOW TO ORDER

Please specify

Model number BA448CF-P PROFIBUS

Accessories

Please specify if required

| | |
|---------------------|--------|
| Escutcheon markings | |
| Scale | Legend |
| Tag | Legend |
| Tag strip | Legend |

www.trautomatyka.pl

biuro@trautomatyka.pl