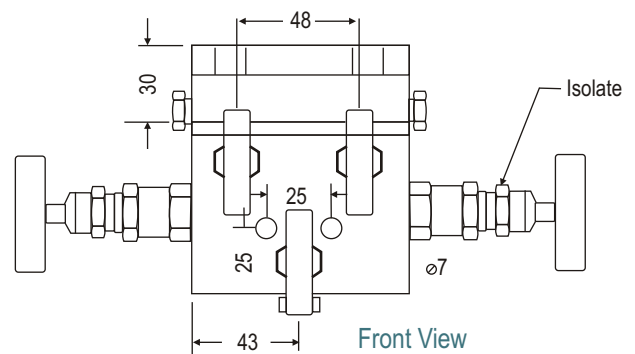
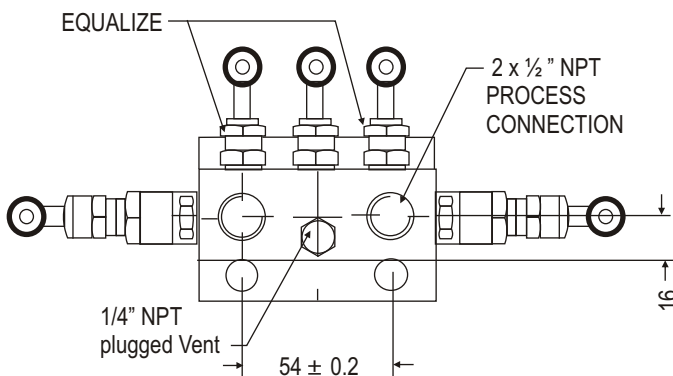
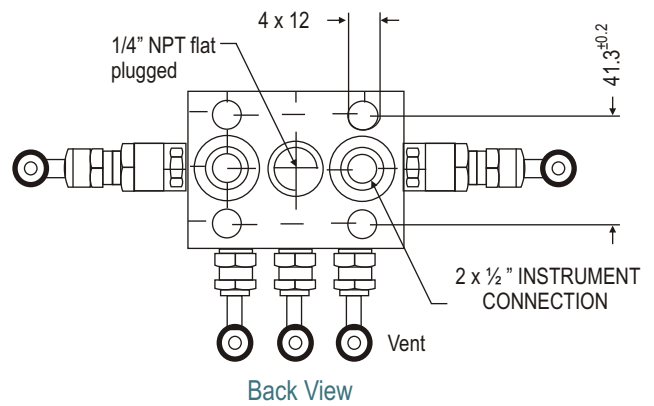
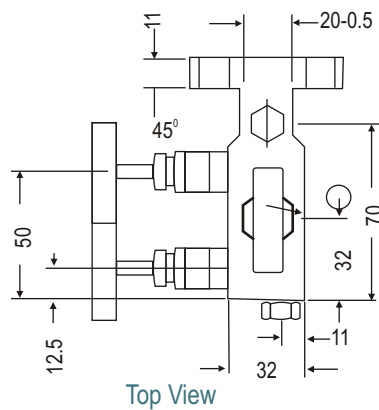
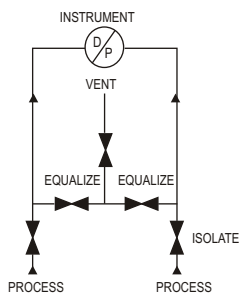
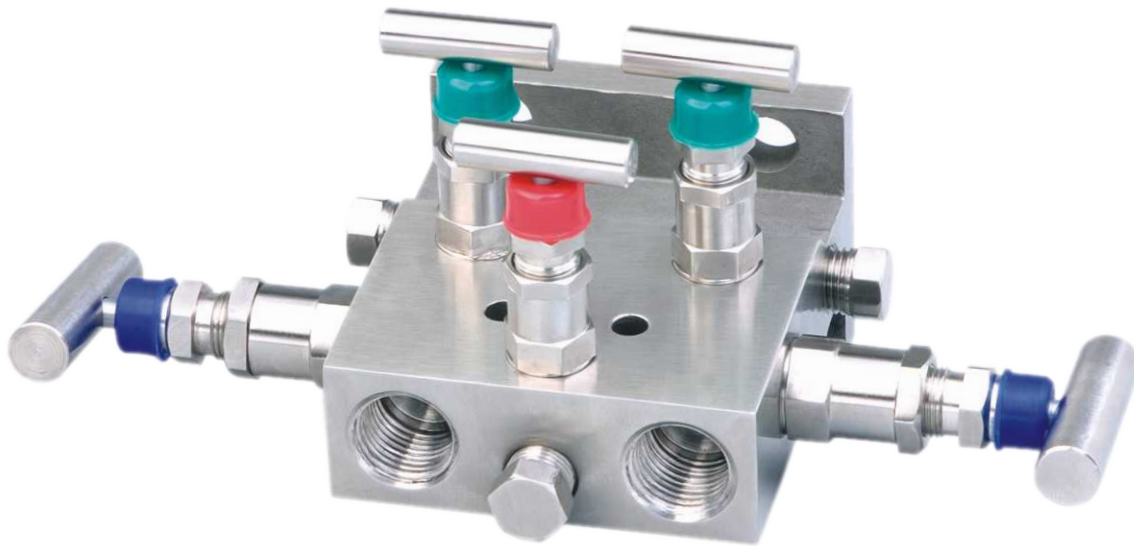


5VN

Five Valve Manifold Special Series to accommodate any half DIN 19213 interface complaint pressure transmitter. 2 inlets NPT female at front and 2 outlets Flange at back side DIN 19213. Vent/test connection at front, equalizing bonnets at top side, isolating bonnets at left and right side-venting bonnet at top.



Standard connection

Product	Process Side	Instrument Side	Vent/Test
5VN	1/2" NPT female	flanged	1/4" NPT female

Standard version specifications of Series 5VN

Body	: SS 316
Stem	: SS 316
Valve assembly	: SS 316
'T' bar handle	: SS 304
Maximum working pressure	: 6000 psi
Maximum working temperature	: 240°C
Packing	: PTFE (Grafoil for temperature above 240°C to 550°C)
Type of stem	: Type CT; Stem with conical metal tip
Drain port	: 1/4" NPT [F]; provided with SS 316 plug
Hard Chrome plating	: Provided on stem tip.

How to order : Valve Type - 5VN

Body Material	Stem Type	Stem Packing	Size = Inlet x Outlet	Connections	Threads
C = Carbon Steel	CT (std)	P = PTFE (std)	4F= 1/2" x Flange	FD = Female x Flange (54mm)	N = NPT (ANSI B1.20.1)
S = SS 316 (std)	DS	G = Grafoil	FF= Flange x Flange	DD = Flange x Flange	P = BSPP (BS2779)
SL = SS 316L			2F = 1/4" x Flange	SW = Socket Weld	B = BSPT (BS21)
M = Monel 400					
H = Hastelloy C					

Options

- GH : Material test certificate
- GO : Hydro test certificate
- MBC : Mounting bolts available [7/16" UNF] in carbon steel
- MBS : Mounting bolts available [7/16" UNF] in SS
- IE : Circular plastic.
- TF : Sour gas service to NACE standard MR-01-75.
- SG : Oxygen service. (manifolds are supplied cleaned and degreased)
- DS : Valves with stem having soft conical and delrin tip rolled into the needle for gas service.
- MB : Mounting bracket

Example

To place an order simply refer to the codes in the table.

Valve Type	+	Body Material	+	Stem Type	+	Stem Packing	+	Size	+	Connections	+	Threads	+	Options
5VN	+	S	+	CT	+	P	+	4F	+	FD	+	N	+	= 5VN-S-CT-P-4F-FD-N-Options

NOTE:

- The weld prepared types are available with female plain end - suitable for socket weld.
- Anti-tamper bonnet - special design on request with locking arrangement if desired.