



The art of power and perfection

PNEUMATIC ACTUATORS

ACT-2500

PDS-AC-2500 Rev. 7



Manufacturing program:

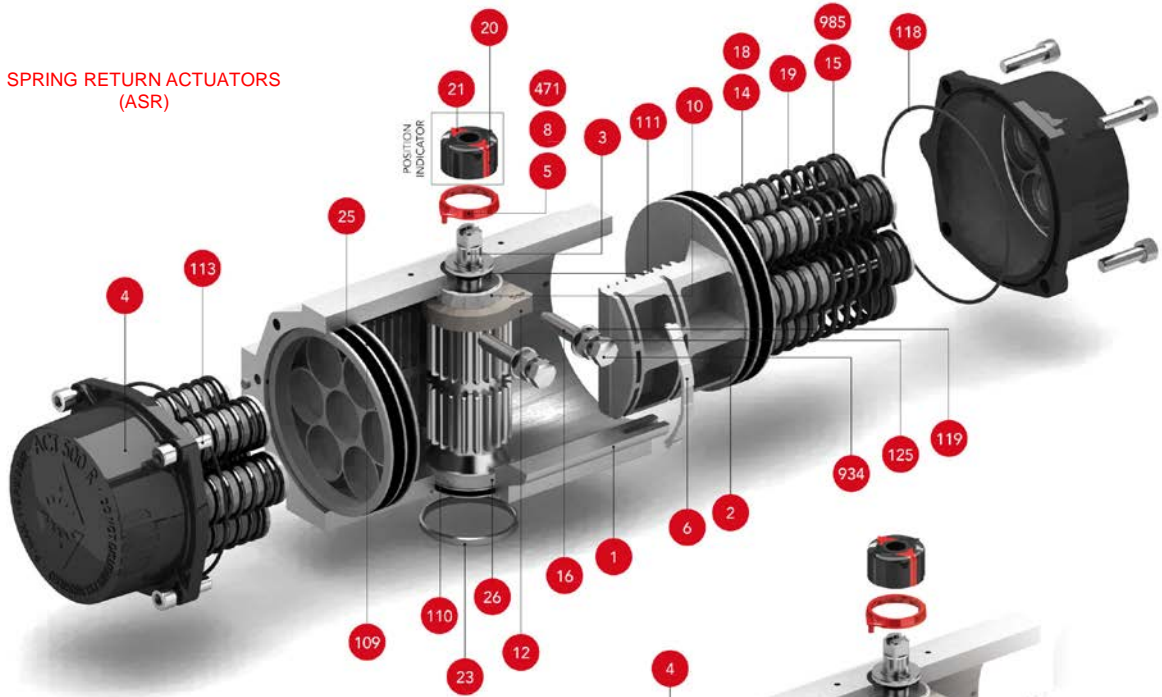
Ex II 2 G D c – LCIE 05 AR 022

Quality & Environmental Management:



TECHNICAL FEATURES

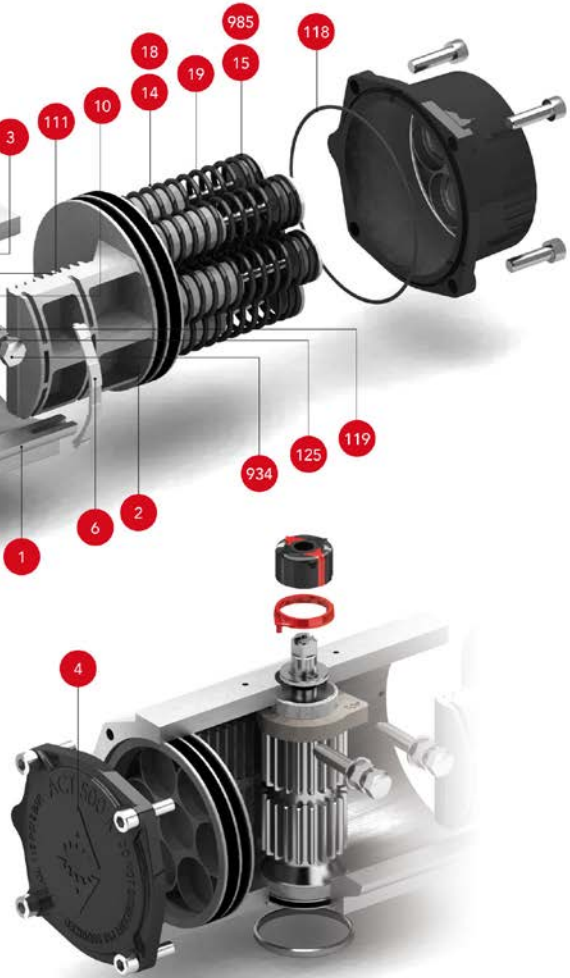
SPRING RETURN ACTUATORS (ASR)



POSITION INDICATOR



DOUBLE ACTING ACTUATORS (ADA)

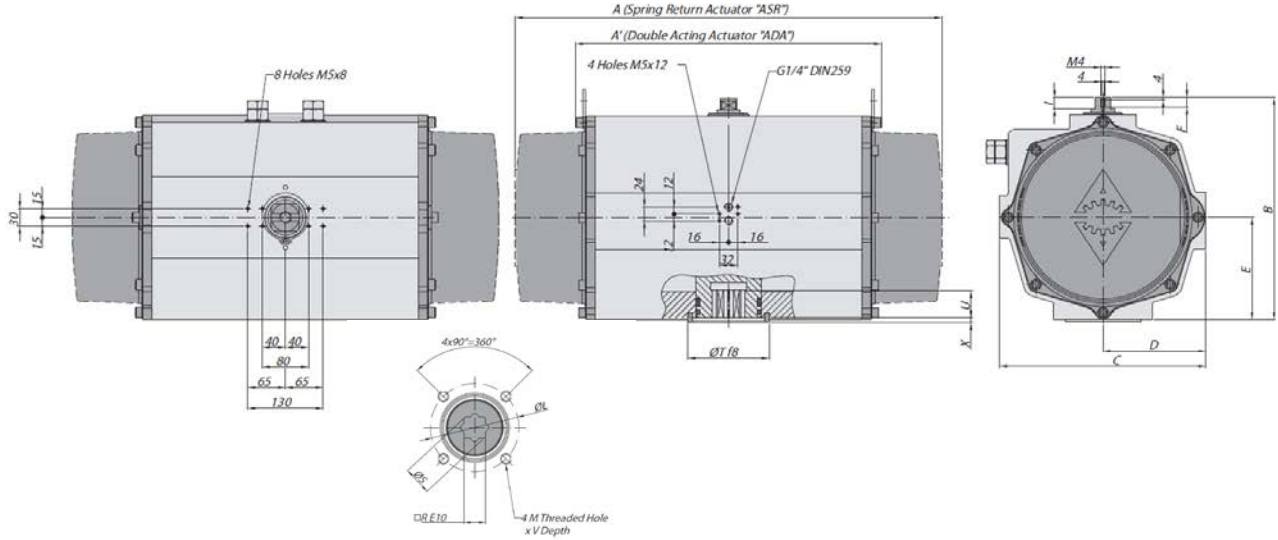


PARTS & MATERIALS

Item	Description	Material	Item	Description	Material
1	Body	Aluminium Hard Anodized	23	Centering Ring	Nickel Plated Carbon Steel
2	Piston	Aluminium	24	Plug Air Stop	NBR
3	Pinion	Nickel Plated Carbon Steel	25	Slide Guide	Polyamide PA 6.6 + 30% G.F.
4	End Caps	Aluminium Epoxy Coated	26	Lower Pinion Bearing	Hostalen RCH 1000
5	Soft Pinion Washer	Polyamide PA 6.6	109	O-Ring	NBR
6	Slide piston	Polyamide PA 6.6 + 30% G.F.	110	O-Ring	NBR
8	Pinion Washer	Stainless Steel	111	O-Ring	NBR
10	Upper Pinion Bearing	Hostalen RCH 1000	113	Bolt	Stainless Steel
12	Stop	ASTM A-105	118	O-Ring	NBR
14	(*) Spring's Long Support	Polyamide PA 6.6	119	O-Ring	NBR
15	(*) Spring's Short Support	Polyamide PA 6.6	125	Washer	Stainless Steel
16	Leveling Screw	Stainless Steel	913	Set Screw	Stainless Steel
18	(*) Bolt	Stainless Steel	471	External Circlip	Stainless Steel
19	(*) Spring	DIN 2076 -D-5.6	934	Nut	Stainless Steel
20	Position Indicator	Polyamide	985	(*) Nut	Stainless Steel
21	Cam	Polyamide			

(*) Only for serie ASR.

SIZES 2500



DIMENSIONS

A	A'	B	C	D	E	F	I	R	ØS	ISO 5211	ØL	M x V	ISO 5211	ØL1	M1 x V1	ØT	X	U
738	518	383	356	177,5	176,5	16	18,6	46	60,2	F16	165	M20X29				130	4	58

(*) Dimensions in mm.

GENERAL CHARACTERISTICS

DESIGN STANDARDS	Serie ADA	Actuator	Double	Acting
	Serie ASR	Actuator	Spring	Return
Mounting of solenoid valves	NAMUR Std.			
Mounting of devices	NAMUR VDI		NAMUR VDE 3845 Std.	
Coupling according	ISO 5211		DIN 3337	
Marking	Ex II 2 G D c LCIE 05 AR 022		According to EN 15714-3	

TESTS AND CERTIFICATEDES

Quality assurance	ISO 9001	Safety Integral level 3 (SIL3)
-------------------	----------	--------------------------------

Max. Pressure	Rotation	Screw stroke Adjustment	Chamber Ø (mm)	Air Volume (L)		Stroke Time Sec. (A)		Operating Temperature (°C)				
				Opening	Closing	Opening	Closing	STD (standard)	HT (high temp.)	LT (low temp.)		
8 bar	90° ±5°	For 1° Need ¼ Turn	300	15,6	14,4	D	2,80	D	3,10	NBR "O" Ring	FPM "O" Ring	Silicone "O" Ring
						S	3,80	S	4,20	-30° to +100°	-15° to +150°	-40° to +80°

DOUBLE ACTING ACTUADOR "ADA" TORQUE OUTPUT IN Nm

TYPE Pressure	Output Torque For Double Acting in Nm												Weight (Kg)									
	3 bar		3,5 bar		4 bar		4,5 bar		5 bar		5,5 bar			6 bar (A)		6,5 bar		7 bar		8 bar		
	0°	90°	0°	90°	0°	90°	0°	90°	0°	90°	0°	90°	0°	90°	0°	90°	0°	90°	0°	90°	0°	90°
D	1730		2019		2307		2596		2884		3172		3461		3749		4038		4614		69,6	

SPRING RETURN ACTUATOR "ASR" TORQUE OUTPUT IN Nm

TYPE Pressure	Output Torque for Spring Return in Nm												Spring stroke		Weight (Kg)								
	3 bar		3,5 bar		4 bar		4,5 bar		5 bar		5,5 bar		6 bar (A)			6,5 bar		7 bar		8 bar			
	0°	90°	0°	90°	0°	90°	0°	90°	0°	90°	0°	90°	0°	90°	0°	90°	0°	90°	0°	90°	END	STAR	
S06	1299	1045	1587	1333	1876	1622	2164	1910	2453	2199	2741	2487	3029	2775	3318	3064	3606	3352	4183	3929	508	806	85,9
S08	1155	816	1444	1105	1732	1393	2020	1682	2309	1970	2597	2258	2886	2547	3174	2835	3462	3124	4039	3700	677	1075	89,4
S10			1300	876	1588	1165	1877	1453	2165	1742	2453	2030	2742	2318	3030	2607	3319	2895	3895	3472	846	1344	92,9
S12				1444	936	1733	1225	2021	1513	2310	1802	2598	2090	2886	2378	3175	2667	3752	3243	1015	1613	96,4	
S14 (A)						1589	996	1877	1285	2166	1573	2454	1861	2742	2150	3031	2438	3608	3015	1184	1882	99,9	

(A) Standard construction.



ACTREG, S.A. (Headquarters)

C/ Cantabria, 2
Polígono Industrial Les Salines
08830 Sant Boi del Llobregat
Barcelona (Spain)
Phone +34 93 661 44 10
Fax +34 93 654 33 93

actreg@actreg.com

ACTREG do Brasil, Sorocaba (SP)

Avenida Liberdade, 4565
Bairro Iporanga - Sorocaba - SP
CEP 18.087-170
Sao Paulo, Brasil
Phone: 0055 (0) 15 3228 1010
Fax: 055 (0) 15 3235 9511

actreg@actregdobrasil.com.br

ACTREG Shanghai Actuator Co. Ltd.

No.658, Block A, Qiang Ye Road
SheShan Industrial Zone
SongJiang District, Shanghai
P.R.C. 201602

Phone: 0086 21 57796818
Fax: 0086 21 57792426

sale@actreg.net.cn

ACTREG UK, LTD

Units 2 & 3 Henson Close
Telford Way Industrial Estate
Kettering Northants NN 16 8PZ
United Kingdom

Phone: 0044 1536412525
Fax: 0044 1536521616

sales@actreg.co.uk

ACTREG North America

20201 Clark Graham
Baie D'UrÉ, QuÉbec
H9X 3T5 Canada

Phone: 001 514 457 5777
Fax: 001 514 457 1348

Toll Free: 1 800 667 4819
jp@trueline.ca

For further information visit our website

www.actreg.com